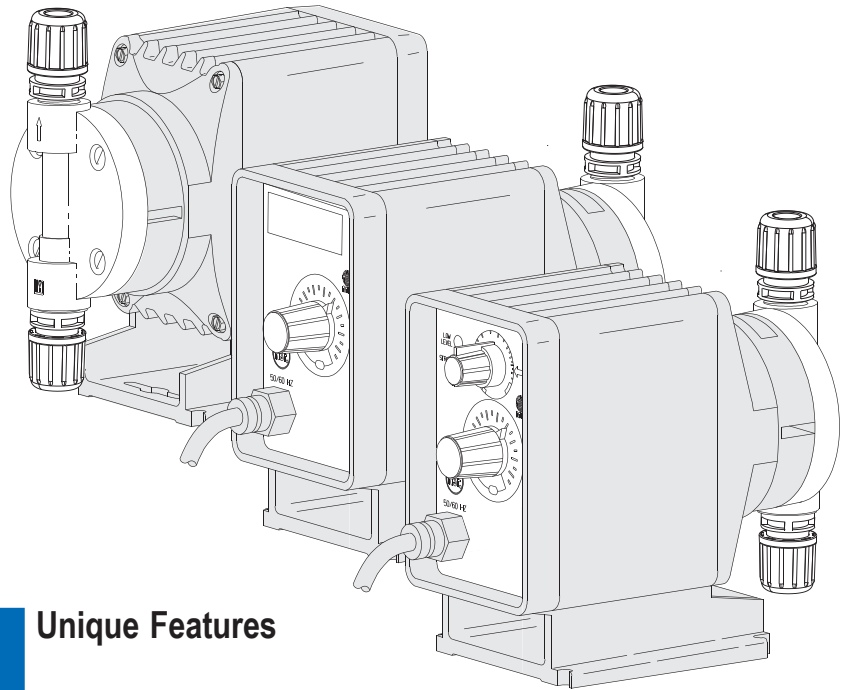


# ELECTRONIC DOSING PUMP LMI SERIES P0 / P1



## Main technical Specifications

- Mechanically actuated diaphragm electromagnetic pump
- Maximum output: 12 l/h
- Maximum pressure: 17.3 bar
- Maximum temperature of pumped chemical: 50 °C
- Self priming height: 1.5 m
- Accuracy:  $\pm 2\%$  of adjusted output

## P0 Series

- Fixed frequency: 60 or 100 str/min
- Adjustable stroke length: 0 to 100%

## P1 Series

- Adjustable frequency: 1 to 60 or 100 str/min
- Adjustable stroke length: 0 to 100%

## Wide Variety of Applications

- Pump head and valves in PVC, PVDF, Acrylic or Inox plus designs for high viscosity polymer.
- Ceramic balls and PVDF or PTFE seats.
- Composite pump diaphragms of the superior Fluorofilm® assure reliable and leak free operation in a wide variety of chemicals.

## Unique Features

- Uses LMI's unique molded long life Electromagnetic Power Unit (EPU) with electromagnetically balanced construction.
- Clog resistant injection check valves with flexible flapper nozzle are standard.
- LMI's unique 4-Function Valve or multifunction Auto-Bleed Valve are low cost options.

## Simple Rugged Construction

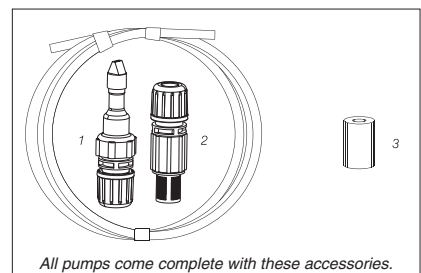
- Ideal for indoor, outdoor and OEM "in machine" applications where simplicity means increased reliability
- Thick wall glass fiber or carbon fiber reinforced thermoplastic construction plus integrated metal-plastic structural and magnetic components result in vibration and shock resistance not ordinarily found in competitive products.
- Strong automotive type wire and electrical connectors add to its construction strength.

## Totally Enclosed Corrosion Resistant IP65

- O-Ring sealed corrosion resistant enclosure of glass fiber reinforced polypropylene protects the pump from harsh chemicals and tough environments.

## Complete with Accessories

- LMI P0 / P1 dosing pumps come complete with:
  1. Injection Check Valve,
  2. Foot Valve,
  3. Ceramic weight.
- Most models are also available with factory tubing.



# Specifications

Model	OUTPUT (l/h) max.	PRESSURE (bar) max.	LIQUIFRAM size	STROKE CAPACITY (ml)		FREQUENCY (str./min.) min. - max.	LIQUID END MATERIAL						TUBING CONNECTIONS	
				min.	max.		PVC/PVDF	PVDF/PVDF	PVDF/PTFE	Acrylic	316SS. <sup>(1)</sup>	High Visc. <sup>(2)</sup>	Inch	Metric
P02*	0.75	10.3	0.5	0.07	0.22	60	358XY	352XY	353XY	350XY	257	N-A	.250"OD	3x6 mm
P03*	1.6	7.6	0.9	0.13	0.44	60	398XY	392XY	393XY	390XY	297	N-A	.375"OD	6x8 mm
P04*	2.2	17.3	0.5	1.07	0.37	100	358XY	352XY	353XY	350XY	257	N-A	.250"OD	3x6 mm
P05*	3.8	7.6	0.9	0.13	0.63	100	398XY	392XY	393XY	390XY	297	N-A	.375"OD	6x8 mm
P06*	7.6	3.5	1.8	0.25	1.27	100	368XY	362XY	363XY	360XY	277	N-A	.375"OD	6x8 mm
P08*	12	1.5	1.8	0.40	2.00	100	368XY	362XY	363XY	360XY	277	N-A	.375"OD	6x8 mm
P12*	0.75	10.3	0.5	0.07	0.22	1-60	358XY	352XY	353XY	350XY	257	N-A	.250"OD	3x6 mm
P13*	1.6	7.6	0.9	0.13	0.44	1-60	398XY	392XY	393XY	390XY	297	N-A	.375"OD	6x8 mm
P14*	2.2	17.3	0.5	1.07	0.37	1-100	358XY	352XY	353XY	350XY	257	155HV	.250"OD	3x6 mm
P15*	3.8	7.6	0.9	0.13	0.63	1-100	398XY	392XY	393XY	390XY	297	85HV	.375"OD	6x8 mm
P16*	7.6	3.5	1.8	0.25	1.27	1-100	368XY	362XY	363XY	360XY	277	75HV	.375"OD	6x8 mm
P18*	12	1.5	1.8	0.40	2.00	1-100	368XY	362XY	363XY	360XY	277	75HV	.375"OD	6x8 mm

\* When ordering, specify the voltage code by using one of the following numbers:

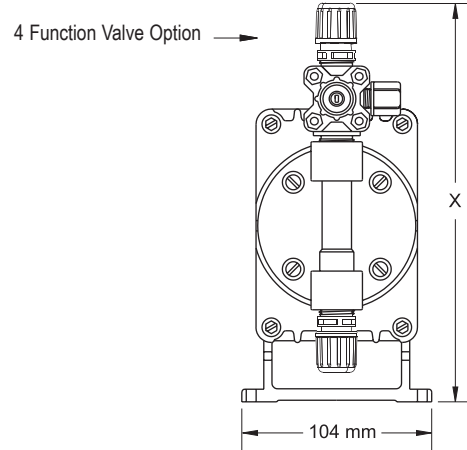
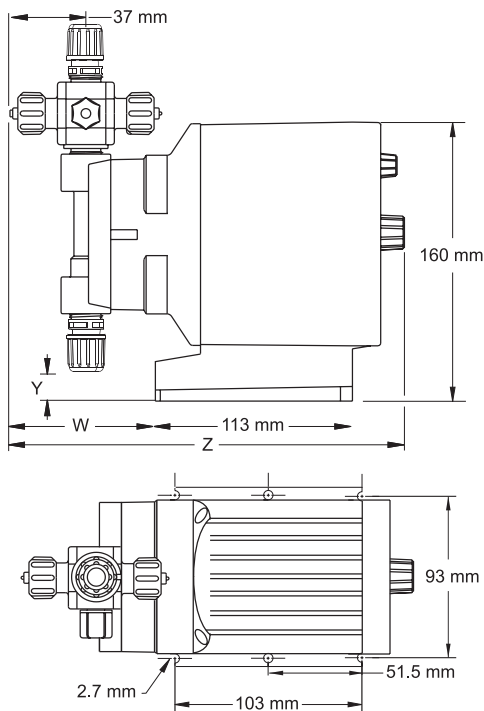
- 1 = 115 V
- 3 = 230 V Din Plug
- 5 = 230 V UK Plug
- 7 = 230 V CH Plug

<sup>(1)</sup> 1/4" NPTm connection

<sup>(2)</sup> .500" OD / 15 x 23

X	Y	Refer to liquid end chart for complete option code
	↓	
	0	Pipe thread 1/2" BSP
	2	Inch tubing
	3	Metric tubing
	4	Reinforced PVC tubing 6 x 12
B		Bleed 4 function valve included
N		No function valve
S		4 function valve included
T		3 function valve included

# Dimensions



	W	X	Y	Z
Pump without function valve	51	181	11	198
Pump with function valve	79	226	11	218
Pump with stainless steel head	44	171	20	191
High viscosity pump	59	205	16	206
Packing: 275 x 225 x 165 mm	Gross Weight: 3.7 kg			



**FRANCE - DOSAPRO MILTON ROY S.A.**  
 10, Grande Rue - 27360 Pont Saint Pierre  
 Tél. : +33 (0)2 32 68 30 00 - Fax : +33 (0)2 32 68 30 93  
 www.dosapro.com - e-mail : contact@dosapro.com

**ESPAÑA - DOSAPRO MILTON ROY IBERICA**  
 C/Embajadores, 100 - 28012 MADRID  
 Tél. : +34 91 517 80 00 - Fax : +34 91 517 52 38  
 www.dosapro.es - e-mail : dmri@dosapro.es

**UNITED STATES - LIQUID METRONICS, INC**  
 201, Ivyland Road - Ivyland, PA 18974 USA  
 Tél. : 1 (215) 293 0401 - Fax : 1 (800) 327 7563  
 www.lmipumps.com

**INTERNATIONAL SALES and PROJECTS DEPARTMENT**  
 10, Grande Rue - 27360 Pont Saint Pierre (France)  
 Tél. : +33 (0)2 32 68 30 12 - Fax : +33 (0)2 32 68 30 91

**SPARE PARTS DEPARTMENT/PIÈCES DE RECHANGE**  
 10, Grande Rue - 27360 Pont Saint Pierre (France)  
 Tél. +33 (0)2 32 68 30 01 - Fax: +33 (0)2 32 68 30 92  
 e-mail : spare.parts@dosapro.com

**INTERNATIONAL TECHNICAL ASSISTANCE/ASSISTANCE TECHNIQUE**  
 10, Grande Rue - 27360 Pont-Saint-Pierre (France)  
 Tél. : +33 (0)2 32 68 30 02 - Fax : +33 (0)2 32 68 30 96  
 e-mail : support@dosapro.com

**DOSAPRO MILTON ROY EN FRANCE :**  
 Angers, Bordeaux, Lille, Lyon, Nancy, Paris, Rouen