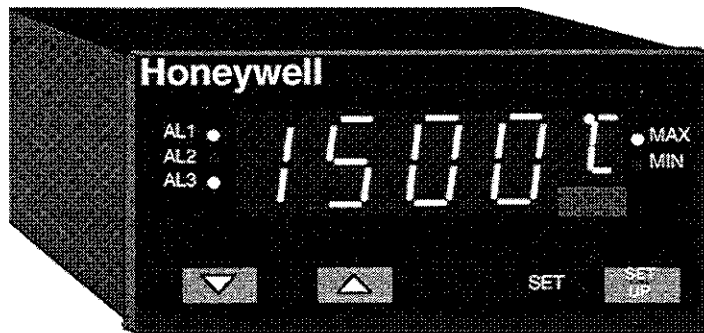


## UDI 1500 MICRO-PRO SERIES Universal Digital Indicator

## Specification

### Overview

The UDI1500 is a 1/8 DIN horizontal (96mm\*48mm) format indicator which combines a high degree of technology and quality with a low price. Its large red display provides a very good, clear and quick legibility of the essential information you need. It is ideally suited for a large number of applications.



### Features

#### A companion for the UDC1000/1500

Based on the same technology as the UDC1000/1500 low price controllers, the UDI1500 is the ideal companion of those controllers for application requiring performance in control and accurate indication.

#### Moisture resistant front face

Meets NEMA 3/IP65 front face protection against dust and water.

#### Universal Power supply and input

Can operate on any line voltage from 90Vac to 264Vac at 50/60Hz. A low voltage 24/48Vac/dc solution is also available. All input types like thermocouples, RTD's and linear DC are configurable as standard.

#### Flexibility & commonality

The option boards (alarm relay output and linear output retransmission) are plug-in for easy upgrade and low inventory.

#### Large visibility

A large 14 mm four digits LED display in red make the UDI1500 easy to read from a distance. A specific digit for °C or °F is provided.

#### Alarm strategy

Up to three soft alarms are available with or without remote relay action.

The alarm types can be set on PV high or low. Alarm 1 can be latched and requires acknowledgment from the operator.

#### Min. and Max. indication

Maximum and Minimum values attained by the process variable since the last reset are stored for further analysis.

#### Time elapsed

The UDI1500 can also store the time elapsed since the alarm 1 became active. In combination with the above Max. and Min. features, it provides alarm information for more detailed analysis.

#### Transmitter Power Supply

Provided as an option on output 3 is 24 Volts DC power for a 2-wire transmitter.

#### Configuration

Easy and full configuration with straightforward menu via the instrument front face.

#### PV retransmission

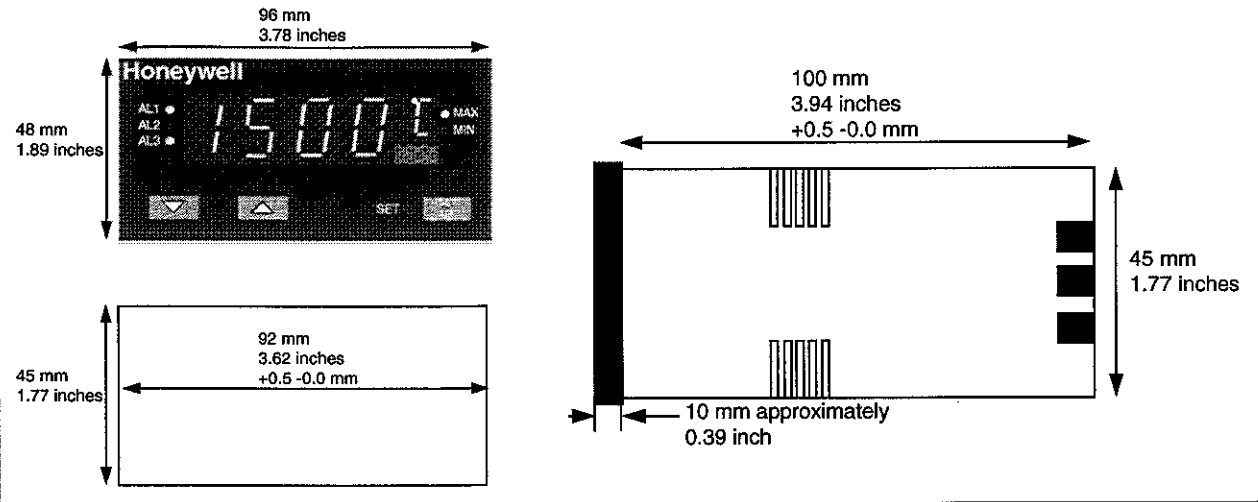
The linear optional output 2 can be used for PV retransmission.

## Specifications

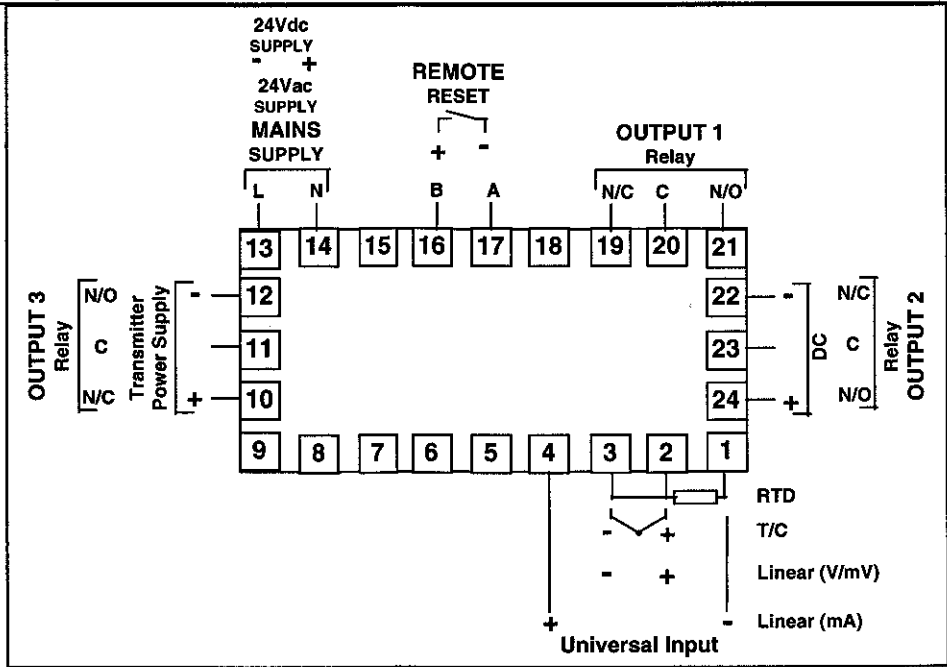
Technical Data	
Accuracy	<p><i>Measurement</i> : 0.25% of Span <math>\pm</math> 1 LSD</p> <p><i>Linearisation for T/C &amp; RTD</i> :</p> <p>Better than <math>\pm</math> 0.2°C for decimal range ; Better than <math>\pm</math> 0.5°C for integer range</p> <p><i>Cold junction compensation (T/C only)</i>: Better than <math>\pm</math> 0.7°C</p>
Temperature Stability	0.01% of span per °C
Input Signal Failure	<p>For Thermocouple and RTDs : Upscale burnout</p> <p>For linear input : Downscale burnout (only applicable to 4-20mA)</p>
Input Sampling Rate	Four samples per second
Input Filter	Digital filter : 0.0 (off), from 0.5S to 100.0 seconds in 0.5s increment
Input Resolution	14 bits approximately, always four times better than display resolution
Input Isolation	Universal input isolated at 2500V from all outputs and from power supply
Stray Rejection	<p>Common mode rejection : &gt;120dB at 50/60Hz with negligible effect at 264V</p> <p>Serial mode rejection : &gt;500% of span at 50/60Hz with negligible effect</p>
Approvals	UL pending and CE approved
Environmental	<p>EMI immunity : meet EN50082-2 part 2</p> <p>EMI Emission : meet EN50081-2 part 2</p> <p>Safety considerations : comply with EN61010-1</p>
Front Panel Sealing	IP65/NEMA3
Power consumption	4 Watts
Physical	<p>Weight : 480 grams max.</p> <p>Width : 96mm/3.78 inches, Height : 48mm/1.89 inches, Depth : 100mm/3.94 inches</p> <p>Wiring connection : Screw terminals on the rear of the case (combination head)</p>
Alarms	<p>Up to three soft alarms with 3 SPDT relay outputs</p> <p>Alarm types : PV high or low with direct or reverse acting</p> <p>Up to three alarm hysteresis : From 1 LSD to 10% of span</p> <p>Combination alarms : Logical "OR" or "AND"</p> <p>Alarm 1 can be latched requiring specific acknowledgment</p>
Output type	<p>Type available :</p> <p>Output 1 : Electromechanical relay output SPDT</p> <p>Output 2 : Electromechanical relay output SPDT or Linear DC for PV retransmission</p> <p>Output 3 : Electromechanical relay output SPDT or Transmitter power supply</p> <p><i>Linear DC output</i> : 4-20mA</p> <p>Accuracy : <math>\pm</math> 0.5% (500 ohms max)</p> <p>Resolution : 8 bits in 250ms (10 bits in 1 second typical, &gt;10 bits in &gt;1 second)</p> <p>Load impedance : 500 ohms maximum.</p> <p>Isolation : isolated 2500V from all other inputs and outputs.</p> <p>Range selection method : Jumper positioning and front panel code setting.</p> <p>Temperature stability : 0.01% / °C</p> <p><i>Electromechanical relay</i> :</p> <p>SPDT contact with 2 A at 120 V or 240 V (resistive load)</p> <p>Life time : &gt; 500 000 operations at rated voltage/current.</p> <p><i>Transmitter power supply</i> :</p> <p>Voltage output : 20 - 28 Vdc with 24Vdc nominal</p> <p>Minimum load impedance : 910 ohms (22 mA and 20Vdc)</p>
Retransmission Output	Current output of output 2 can be selected to retransmit the process variable.
Remote Reset Input	<p>Voltage free or TTL compatible (External relay contact or TTL logic signal)</p> <p>To reset the latched alarm output 1</p>



External Dimensions and Panel Cutout UDI1500



Wiring Diagram



Distributor :



**Honeywell Inc. - Industrial Automation and Control Division** *Helping You Control Your World*  
 In the U.S.A. : Honeywell Industrial and Automation, 16404 North Black Canyon Hwy., Phoenix, AZ 85023, (602) 313-5000  
 In the Canada : The Honeywell Centre, 155 Gordon Baker Rd., North York, Ontario M2H 3N7, 1-800-461-0013  
 In Latin America : Honeywell Inc., 14505 Commerce Way, Suite 500, Miami Lakes, Florida 33016-1556, (305) 3642300  
 In Japan : Yamatake-Honeywell Co. Ltd. Nagai Int'l Bldg., 2-12-19 Shibuya, Shibuya-Ku, Tokyo 150, Japan, 81-3-3486-2051  
 In Asia : Honeywell Asia Pacific Inc., N°19, Toa Payoh, Lorong 8 #06-00, Singapore 1231, 354-6768  
 Honeywell Pacific Division : Honeywell Pty Ltd., 5 Thomas Holt Drive, North Ryde Sydney, NSW Australia 2113, (61-2) 353 7000  
 In Europe : Honeywell S.A., Avenue du Bourget, 1140 Brussels, Belgium, (32) 2-728-2111  
 Honeywell Control System Ltd, Honeywell House, UK-RG 12 1 EB, (44) 1344 656000