

### FEATURES

- The pulse diaphragm valves are especially designed for dust collector service applications, combining high flow, long life and extremely fast opening and closing to produce reliable and economical operation
- The high flow, angle type bodies, springless construction, in combination with the special diaphragm assemblies give the unique operating features required for dust collector service applications
- The design with integral compression fittings will facilitate installation because there is no need for threaded piping
- The high quality diaphragms are wear resistant and guarantee a long operating life, even under harsh conditions
- Built-in silencers guarantee noise free operation and avoid foreign particles entering the valve
- Integral pilot operated valves satisfy all relevant EC directives



### GENERAL

Differential pressure 0,35 - 8,5 bar [1 bar = 100kPa]  
Ambient temperature range -20 to +85°C

fluid (*)	temperature range (TS)	diaphragm (*)
air	-20 to +85°C	TPE (hytrel)

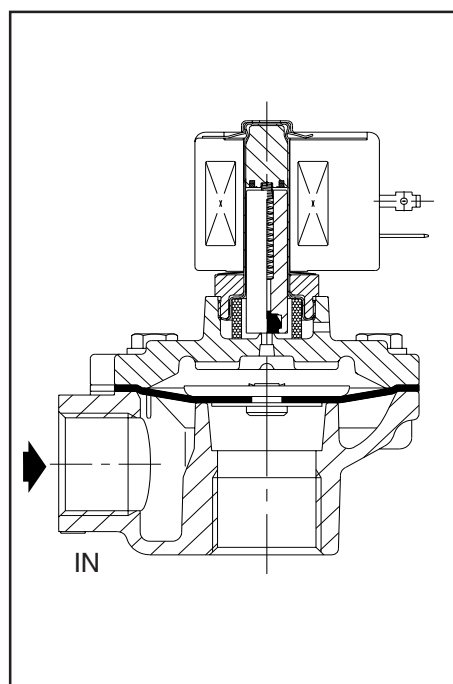
### MATERIALS IN CONTACT WITH FLUID

(\*) Ensure that the compatibility of the fluids in contact with the materials is verified

Body	Aluminium
Core tube	Stainless steel
Core and plugnut	Stainless steel
Core spring	Stainless steel
Sealings & disc	NBR (nitrile / buna-n)
Diaphragm	TPE (hytrel)
Shading coil	Copper

### ELECTRICAL CHARACTERISTICS

Coil insulation class F  
Connector Spade plug (cable Ø 6 - 10 mm)  
Connector specification ISO 4400  
Electrical safety IEC 335  
Standard voltages DC (=): 24V  
(Other voltages and 60 Hz on request) AC (~): 24V - 115V - 230V / 50 Hz



coil type	nominal power ratings			ambient temperature range (TS) (°C)	protection
	inrush	holding			
	(VA)	(VA)	(W)		
CM6-FT	34	15,6	6	-	moulded IP65
CM6-FI (1)	-	-	-	14 / 20,8	

### SPECIFICATIONS

pipe size	orifice size	flow coefficient Kv		operating pressure differential (bar)			coil type		catalogue number	OPTIONAL				
				min.	maximum (PS)					FPM (2)	EPDM	CR	PTFE	
					air (*)									
<b>G - Threaded pipe connection</b>														
3/4	25	14	233	0,35	8,5	8,5	CM6-FT	CM6-FI	SC G353A043	V				
1	25	17	283	0,35	8,5	8,5	CM6-FT	CM6-FI	SC G353A044	V				
<b>Ø - Compression fitting pipe connection</b>														
3/4	25	14	233	0,35	8,5	8,5	CM6-FT	CM6-FI	SC G353.052	V				
1	25	17	283	0,35	8,5	8,5	CM6-FT	CM6-FI	SC G353.053	V				

(1) Intermittent duty, Relative Duty Time is 70%. Max. ON time is 13 min.

(2) Does not apply to compression fitting seals.

The codes in the grey shaded areas correspond to commonly used products which can be supplied rapidly

### OPTIONS

- Waterproof enclosure with embedded screw terminal coil according to protection class IP67, CEE 10
- Explosionproof solenoids for hazardous locations according to "ATEX" (CENELEC) and national standards
- Explosionproof and watertight solenoids according to "NEMA" standards
- Compliance with "UL" standards
- Plug with visual indication and/or peak voltage suppression
- Electronic timer
- Valves can also be supplied with FPM (fluorelastomer / viton) diaphragm and sealings. Use the appropriate optional suffix letter for identification



### INSTALLATION

- The valves can be mounted in any position without affecting operation
- Pipe connection identifier is: G = G (ISO 228/1) or compression fitting
- For compression fitting types tightness is achieved by the compressed gasket on the blow tube
- The use of the rubber gaskets as sealing members will allow a slight misalignment in piping when using compression fittings
- Other pipe threads are available on request
- Installation/maintenance instructions are included with each valve
- Spare Parts Kit and replacement coils are available

### DIMENSIONS (mm), WEIGHT (kg)



threaded type

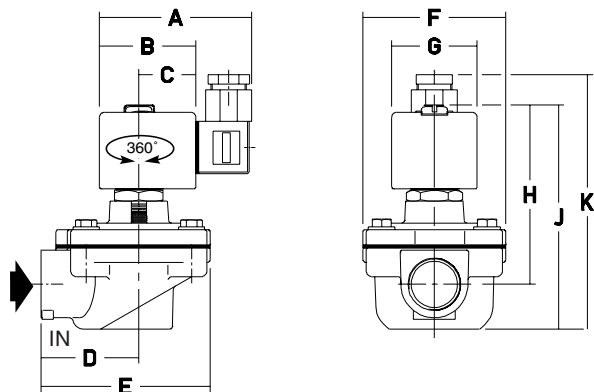


Fig. 1

compression fitting type

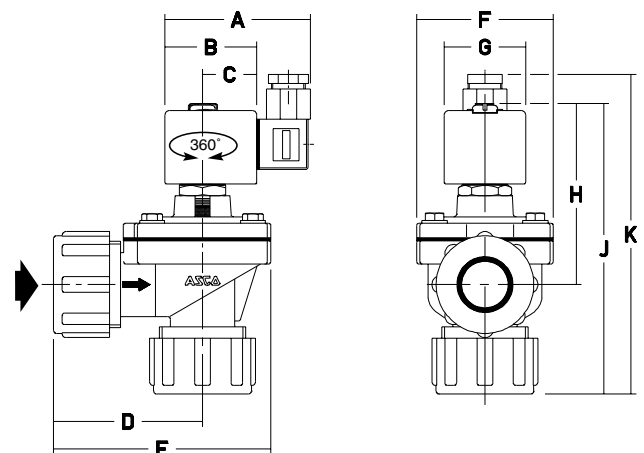


Fig. 2

catalogue number	A	B	C	D	E	F	G	H	J	K	weight (1)	(C)
SC G353A043	75	45	27	51	89	75	39	92	113	130	0,70	Fig.1
SC G353A044	75	45	27	51	89	75	39	92	113	130	0,65	Fig.1
SC G353.052	75	45	27	88	125	75	39	92	175	195	0,85	Fig.2
SC G353.053	75	45	27	88	125	75	39	92	175	195	0,90	Fig.2

(1) incl. coil and connector

(C) construction type